

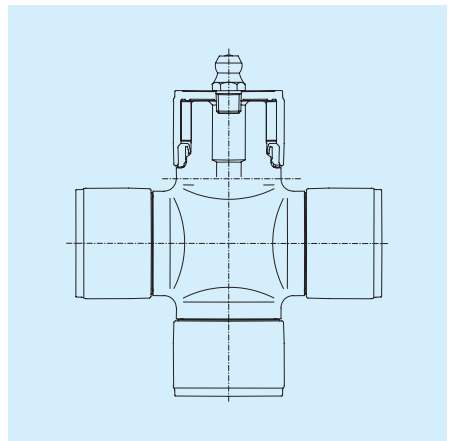
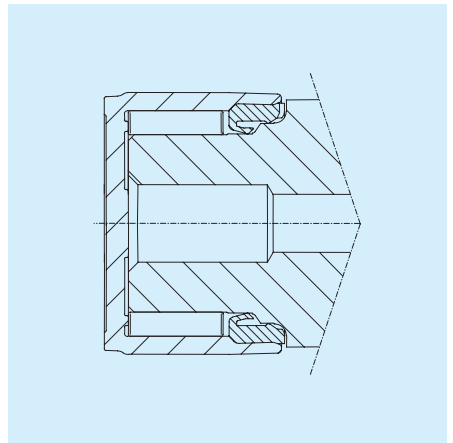
Agricultural machines are often employed in harsh working environments – dust and dampness can shorten a driveline's life span. Sealing elements of the cross kits are very important: they retain lubricants, protect the needles and lubricants from contamination by foreign substances, and allow excess grease to purge without damage.

The needle bearings in Bondioli & Pavesi cross kits are equipped with double-lip seals designed to prevent contamination of the lubricant in the severe working conditions typical of farming applications.

Trials carried out on specially designed test fixtures provided data for optimizing the shape, materials, and the required heat treatment for all components – needles, caps, seals, and crosses.

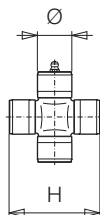
Proper design and manufacturing allow universal joints to be lubricated at extended intervals of 50 working hours, for most applications.

Lubrication can be done on a weekly basis instead of every day, reducing one of the most burdensome maintenance requirements. Under certain working conditions, drivelines may be lubricated only once for an entire season.



Cross kits

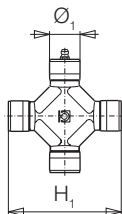
Cross kits for single cardan joints



The codes below refer to the cross kit as a spare part – complete with the four snap rings required for assembly. They are supplied in single-item or multiple-item packs. The pack quantity is indicated by the numbers following the “R” in the code.

	Ø mm	H mm	Cross kit code	Multiple-item pack code
G1	22.0	54.0	4120B0012	4120B0012R50
G2	23.8	61.3	4120C0012	4120C0012R30
G3	27.0	74.6	4120E0012	4120E0012R25
G4	27.0	74.6	4120E0012	4120E0012R25
G5	30.2	79.4	4120G0012	4120G0012R40
G7	30.2	91.4	4120H0012	4120H0012R30
G8	34.9	93.5	4120L0012	4120L0012R24
G9	34.9	106.0	4120M0012	4120M0012R20

Cross kits for constant velocity joints



	Ø ₁ mm	H ₁ mm	Cross kit code	Multiple-item pack code
G2	22.0	76.0	4120C0051	4120C0051R25
G4	22.0	86.0	4120E0051	4120E0051R40
G5	27.0	100.0	4120G0051	4120G0051R24
G7	27.0	100.0	4120G0051	4120G0051R24
G8	30.2	106.0	4120L0051	4120L0051R20